

FCS-4047



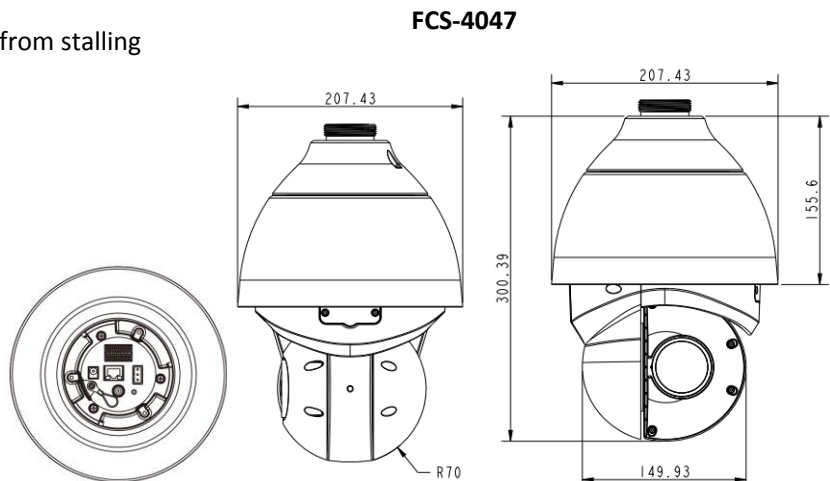
With the latest encoding technology and built-in IR LEDs, FCS-4047 IR PTZ Camera presents strong HDR and high sensitivity performance, and is capable of capturing high resolution images during daylight hours and even, in pitch-black darkness.

At night, or in any low/zero lighting environment, FCS-4047 is able to provide effective illumination to the objects 150 meters away, and also delivers crystal clear images with high quality 30x optical zoom lens in long distance.

With delicate mechanism design, FCS-4047 features Servo Feedback technology, which makes the camera precisely return to the previous position without stalling, and ensures the target monitoring region is fully secured. IP66 International standard is also guaranteed for outdoor installation. Furthermore, combining 0 downtime power switching (ZDT) technology, FCS-4047 ensures smooth streaming without sudden power-loss.

Key Features

- Various Progressive Scan CMOS Sensor
- Up to powerful 30x Optical Zoom
- Digital Zoom Support
- High Dynamic Range (120dB)
- Quad codec support (H.264 Baseline / Main Profile / High Profile / SVC / MJPEG)
- Quad Streams Support
- True Day & Night (ICR)
- 2D/3D Noise Reduction
- 802.3at (PoE+) 4-Pair 60W Support for IR & Heater Activation
- Cisco UPoE Support
- Weatherproof (IP66 International)
- Servo Feedback - Improve the mechanism from stalling
- 0 downtime power switching (ZDT)
- IR Distance up to 150 m *
- IR Illumination Adjustment by Zoom Ratio
- BNC & RS-485 Support



FCS-4047

Camera		FCS-4047
Image Sensor		1/2.8" Sony Progressive CMOS
Optical Zoom		30x
Digital Zoom		10x
Minimum Illumination		TBD (Color), 0 (B/W) @ F1.6
Wide Dynamic Range		High Dynamic Range (Up to 3 Shutter, 120 dB)
Focus Mode		Auto / Manual
White Balance		Auto / Indoor / Outdoor / ATW / Manual
Iris Control		Auto / Manual
Electronic Shutter		1/1 ~ 1/10000 sec.
AGC Control		Auto / Manual
Backlight Compensation		On / Off
Lens		
Focal Length		4.3-129 mm
Min. Focus Length		1m (Wide) ; 1.2m (tele)
F Number		F 1.6 (Wide); F 4.7 (Tele)
FOV		3M: 64.1° (Wide); 2.4° (Tele) 1080p: 60.8° (Wide); 2.3° (Tele)
Operation		
Pan Travel		360° endless
Tilt Travel		-20° ~ 200°
Manual Speed	Pan	0.1° ~ 90°/s
	Tilt	0.1° ~ 60°/s
Presets		256
Preset Accuracy		0.16°
Preset Speed	Pan	9° ~ 280°/s
	Tilt	7° ~ 300°/s
Sequence		8
Auto Pan		4
Cruise		8
Privacy Mask		20 (Polygon Support)
Speed by Zoom		On / Off (Pan and tilt speed proportional to zoom ratio)
Resume after Power loss		0 downtime power switching (ZDT) support
Home Function		Preset / Sequence / Auto pan / Cruise
Auto Flip		Mechanical / Off
Motion Detection		Motion Detection Window x 4 sets
Day / Night: IR Cut Filter		On / Off
Image Rotation		Flip / Mirror / Inverse
Auto Calibration		On / Off, Servo Feedback Support
Noise Reduction	2D	On / Off
	3D	On / Off
IR Distance		150m
Network		
Networking		RJ-45, 1Gbps Ethernet
Video Compression		MJPEG / H.264 (MPEG-4 Part 10/AVC) Baseline / Main Profile / High Profile
	Linear mode	H.264 4M@25/30 fps Note: Stream can be MJPEG
	HDR mode (2 Shutter)	H.264 4M (2560x1440) @25/30 fps Note: Stream can be MJPEG
	HDR mode (3 Shutter)	H.264 4M (2560x1440) @15 fps Note: Stream can be MJPEG
Video Stream	Linear mode	H.264 4M @25/30 fps + H.264 1080p @25/30 fps Note: One if the stream can be MJPEG
	HDR mode (2 Shutter)	H.264 4M (2560x1440) @15 fps + H.264 1080p @15 fps Note: One if the stream can be MJPEG
	HDR mode (3 Shutter)	H.264 4M (2560x1440) @15 fps + H.264 1080p @15 fps Note: One if the stream can be MJPEG
	Quad	H.264 4M @25/30 fps + H.264 1080p @25/30 fps + H.264 720p @25/30 fps + H.264 D1 @25/30 fps Note: One if the stream below 1080p can be MJPEG
Video Resolution	H.264	4M (2688x1512 or 2560x1440) / Full HD 1080P / SXGA
	MJPEG	/ 720P / XGA / SVGA / D1 / VGA / CIF / QVGA Full HD 1080P / SXGA / HD 720P / XGA / SVGA / D1 / VGA / CIF / QVGA
Audio Compression		G.711 / G.726 / AAC
Audio Stream		Two-way Audio
Protocols		IPv4/v6, TCP/IP, UDP, RTP, RTSP, HTTP, HTTPS, ICMP, FTP, SMTP, DHCP, PPPoE, UPnP, IGMP, SNMP, QoS, ONVIF, ARP
Security		HTTPS / IP Filter / IEEE 802.1x
Alarm	Input	4 Sets / 5V 10kΩ pull up
	Output	2 Set / Relay output, max. 120mA DC 400V / 120mA AC 250V
Alarm Reaction		Preset / Sequence / Auto Pan / Cruise
RS-485		Pelco D, Pelco P, DSCP Protocol Support
BNC		Support (CVBS 1Vpp, 75 Ω)
SD Card		SD Support
Supported Web Browser		Internet Explore (10.0+) / Firefox / Safari
Password Levels		User and Administrator
General		
Environment		Outdoor
Operating Temperature*	Outdoor	-40°C ~ 50°C (-40°F ~ 122°F)
Humidity	Outdoor	10% ~ 90%, No Condensation
Dimension	Outdoor	Ø207.43 x 300.39 mm w/ Sunshield
Weight	Outdoor	3.8 kg
Power Source*	Outdoor	802.3at (PoE+) 4-Pair 60W / AC 24V ± 20% / DC 12V
Power Consumption*	Outdoor	43W (with IR & Heater on)
Regulatory		CE / FCC / RoHS / IP66

* mark for to be discussed # mark for optional items

Product specification and availability are subject to change without notice.

