

8dBi Omni-Directional Outdoor Antenna Kit

LevelOne provides OAN-2080 8dBi Omni-directional Outdoor Antenna Kit to increase the coverage area for wireless 802.11b or 802.11g devices. Especially designed for outdoor application, the surge protector prevents the wireless devices to be damaged by the lightning-induced surge or static electricity as well as the waterproof surface keeps the antenna workable in any environment.

This antenna kit comes with antenna, one 3m UL-168 extension cable, surge protector and metal bracket. With those accessory, the antenna can be easily fastened on the wall or installed on the pole. The antenna has been tested for interoperating with LevelOne's wireless indoor/outdoor Access Point with both reverse SMA Male or N-Type antenna connector.



OAN-2080

Related Products



WAB-2000A

108Mbps Wireless Mesh Outdoor AP/Bridge



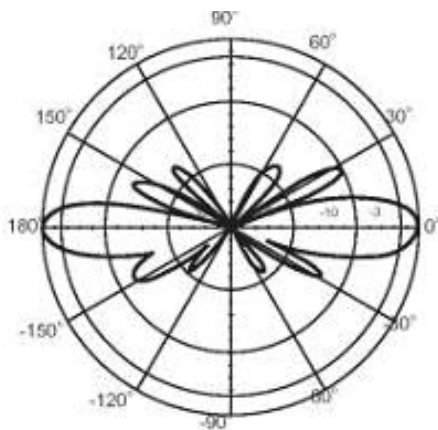
WBA-4000

11a Wireless Outdoor Bridge

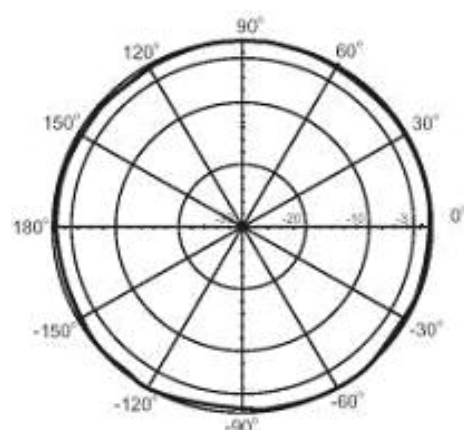
Key Features

- For IEEE 802.11b/g applications in 2.4GHz Frequency Range
- Surge protector to prevents the lightning
- Easy to install
- Omni-directional operation provides extended point to multi-point coverage
- With extension cable for wireless device with SMA or N-Type connector

Radiation Patterns



V-Plane Co-polarization Pattern

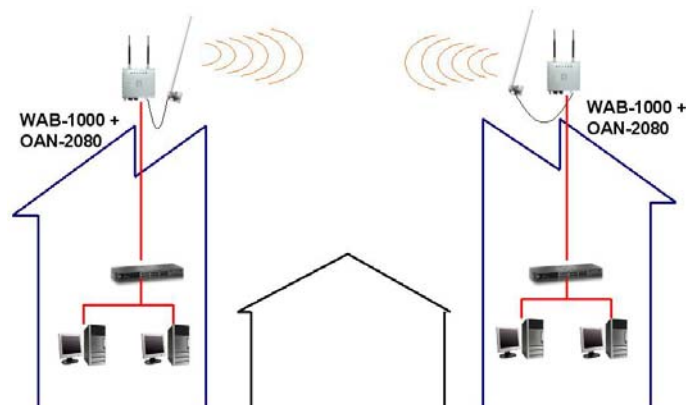


H-Plane Co-polarization Pattern

Technical Specification

Electrical Specification	
Frequency Band	2.4GHz – 2.5GHz
Gain	8 dBi
VSWR	2.0:1 Max
Polarization	Linear Vertical
HPBW / V	15°
HPBW / H	360°
Power Handling	50W
Impedance	50 Ohms
Connector	N-Plug; RP-SMA Plug
Appr. Range at 1Mbps	1.8 km under FCC 800m under ETSI
Appr. Range at 54Mbps	600m under FCC 270m under ETSI
Environmental & Mechanical Characteristics	
Temperature	-40°C - +80°C
Humidity	95% @ 25°C
Survival Wind Speed	216 KM/Hour
Weight	337 g
Dimension	φ 19 x 520 mm

Product Diagram



Ordering Information

- OAN-2080: 8dbi Omni-Directional Outdoor Antenna Kit
 - 8dbi Omni-Directional Outdoor Antenna
 - 3m ULA-168 extension cable
 - Surge Protector