



## 9 dBi Omni Directional Indoor/ Outdoor Antenna Kit

OAN-2090

H/W Version: 3

OAN-2090 is an all-inclusive antenna kit for indoor/  
outdoor applications. It is a great solution to help  
improve the distance and performance of wireless  
local area networks (WLANs).

It is durable and reliable, perfectly suited for outdoor  
deployments in even the most severe weather  
conditions.



N-jack female Connector

### Key Features

- IEEE 802.11 b/g/n application in 2.4GHz Frequency Range
- Omni-directional operation provides extended point to multi-point coverage
- Standard N-jack connector

### Works Well With



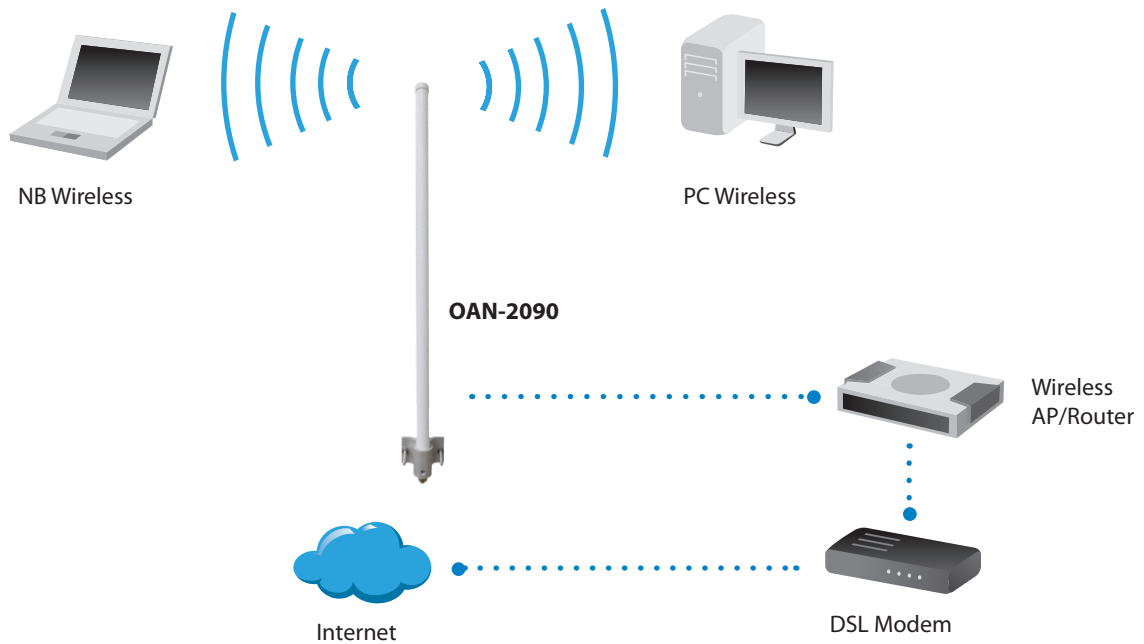
**WAB-6120**  
N150 PoE Wireless Access Point,  
Passive PoE, Outdoor

### Technical Specification

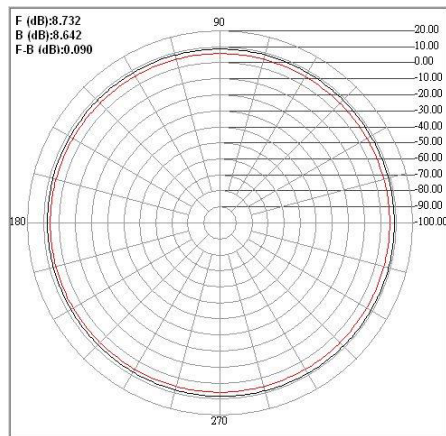
Electrical Characteristics
<b>Frequency Range</b> 2.4~2.5GHz
<b>Gain</b> 9dBi
<b>VSWR</b> ≤ 2.0
<b>Polarization</b> Linear vertical
<b>HPBW/Horizontal</b> 360 °
<b>HPBW/Vertical</b> 14 °
<b>Connector</b> N female

Environmental & Mechanical Characteristic
<b>Survival wind Speed</b> 180km/hr
<b>Operating Temperature</b> -30°C to + 60°C
<b>Storage Temperature</b> 0°C to + 50°C
<b>Impedance</b> 50Ω
<b>Lighting Protection</b> DC ground
<b>Material</b> Fiber Glass
<b>Dimensions</b> ø28mm x 610mm

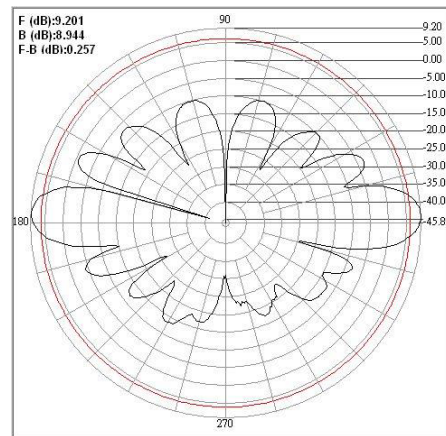
### Product Diagram



### Radiation Pattern



H-Plane



V-Plane

**Order Information**

**OAN-2090:** 9 dBi Omni Directional Indoor/Outdoor Antenna Kit

**Package Content**

OAN-2090, Mounting Kit, Quick Installation Guide