



# SIP VoIP Phone



VOI-7000

H/W Version: 1

The VOI-7000 has all the features of a normal VoIP phone but with more functionality where different media can now be transferred in one session at the same time.

### Digital Telephony in one device

The VOI-7000 from LevelOne is a feature-rich yet cost competitive with high quality voice, speakerphone and a 2x16 LCD screen that displays caller ID, number dialed, speed dial entries. The keypad also doubles as an input device to set up your SIP account and to connect to the Internet.

The numeric pad is tone activated so you can use it with telephone services that incorporates interactive telephony systems. Also support volume adjustment, 10 button speed dial, phone book setup and programming, redial, call hold, call wait and forwarding.

### Simplicity in one device

The VOI-7000 compatibility with all SIP and VoIP service providers. Also allows for 3 different SIP accounts (IP telephone numbers) to be used from a single phone. The QoS (Quality of Service) function to ensures that clear communication is possible at all times regardless of the LAN load.

### From one phone to a phone network

The VOI-7000 is a standalone VoIP SIP phone, but combined with other phones in a network by using an IP PBX at different branch offices and gateways to connect the IP network with traditional analogue phone systems, enables significant cost savings when making international or long distance phone calls. If using LevelOne IP PBX systems, it is possible to assign extension numbers to a large phone group that will always be in touch regardless of their location.



- 1. Handset
- 2. Function Key
- 3. Number Keypads
- 4. LCD Display
- 5. Menu/Arrow Key
- 6. Redial/Speakerphone
- 7. Microphone
- 8. Speed Dial/Function Key
- 9. Power
- 10. LAN RJ-45
- 11. WAN RJ-45

### Key Features

- Traditional Phone for digital use
- User friendly and packed with VoIP and SIP features
- Cost Effective telephony for long and short distance calls for home, business and enterprise users.
- Register up to 3 different telephone number
- Enhanced Security features to protect Local Area Networks
- Plug-and-Play enabled with easy set-up with keypad

### Works Well With



**VOI-9300**  
SIP VoIP PBX w/ 4FXO Ports



**VOI-7100**  
SIP VoIP PoE Phone

## Technical Specifications

### Hardware Specification

#### Connection Ports

Dual RJ-45 10/100Mbps Ethernet Ports

#### Handset Port

RJ-11 port

#### Memory

Flash: 2MB

SDRAM: 8MB

### Physical Spec.

#### Power

Power Input: DC 9V / 1A

#### Display

2x16 LCD Display

#### Keypad

12 button numeric keypad

9 fixed function buttons

#### Temperature

Operation: 0°C~+40°C

Storage: 0°C~+70°C

#### Humidity

10%~95%(non-condensing)

### Software Features

#### Network Protocol

SIP v1 (RFC2543) / v2 (RFC3261)

IP/TCP/UDP/RTP/RTCP

IP/ICMP/ARP/RARP/SNTP

TFTP Client/DHCP Client/PPPoE Client

Telnet/HTTP Server

DNS Client

#### Codec

G.711: 64kbps (PCM)

G.723.1: 6.3kbps/5.3kbps

G.726: 16/24/32/40kbps (ADPCM)

G.729A: 8kbps (CS-ACELP)

G.729B: adds VAD & CNG to G.729A

#### Voice Quality

VAD: Voice activity detection

CNG: Comfortable noise generator

LEC: Line echo canceller

Packet Loss Compensation

Adaptive Jitter Buffer

#### Call Function

Call Hold

Call Waiting

Call Forward

Caller ID

3-way conference

#### DTMF Function

In-Band DTMF

Out-of Band DTMF

SIP Info

#### SIP Server

Registrar Server (three SIP account)

Outbound Proxy

#### Tone

Ring Tone

Ring Back Tone

Dial Tone

Busy Tone

Programming Tone

#### Phone Function

Volume Adjustment

Speed dial, Phone book

Flash

Speaker Phone

#### IP Assignment

Static IP

DHCP

PPPoE

#### Security

HTTP1.1 authentication for Web setup

MD5 for SIP authentication (RFC2069/RFC2617)

#### QoS (Quality of Service)

ToS Field

#### Configuration

Web Browser

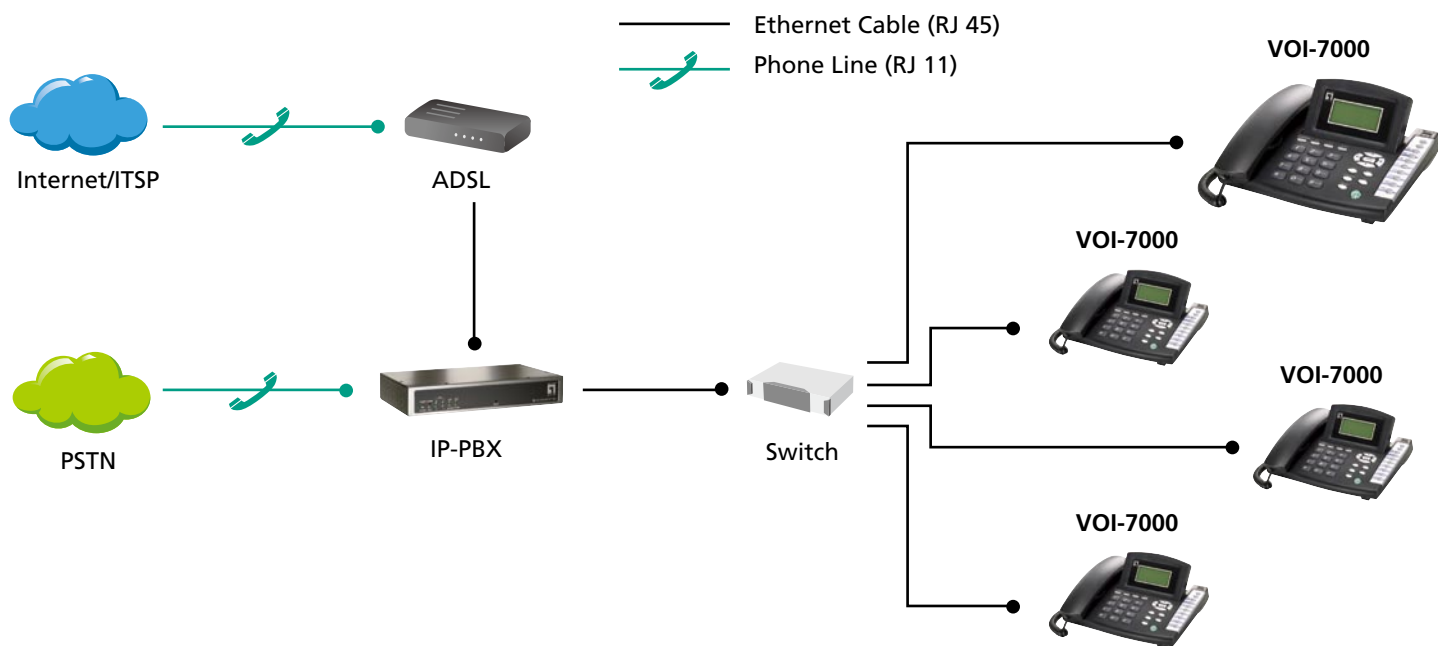
Keypad

#### Firmware Upgrade

TFTP

HTTP

## Product Diagram



## Order Information

**VOI-7000:** VoIP SIP Phone

## Package Contents

VOI-7000  
Power Adapter  
Cat.5 Cable  
CD Manual