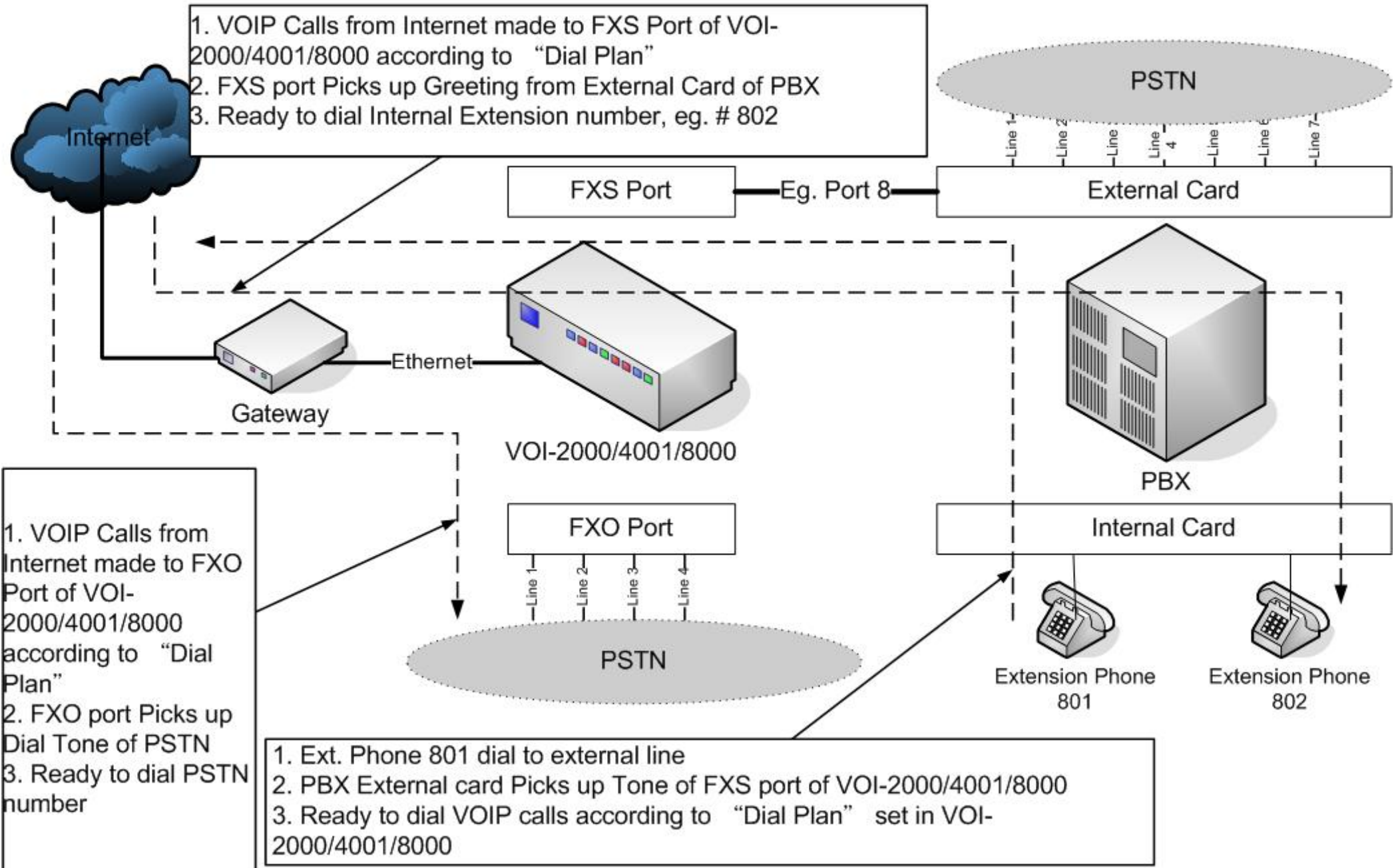
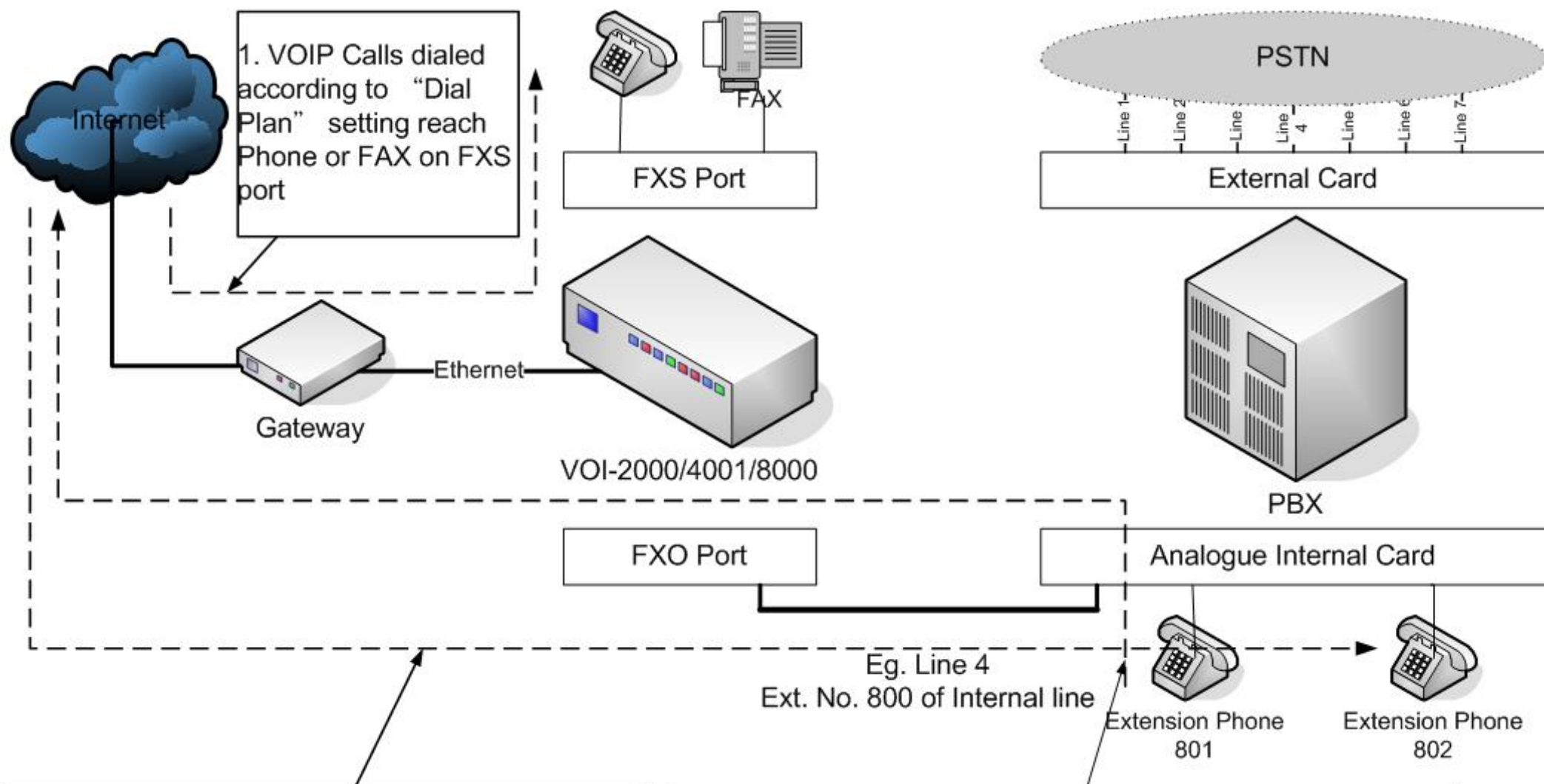


Interconnect VOI-2000/4001/8000 with PBX (I)



Interconnect VOI-2000/4001/8000 with Analogue PBX (II)



1. VOIP Calls dialed according to "Dial Plan" setting reach Phone or FAX on FXS port

1. VOIP Calls dialed according to "Dial Plan" setting reach FXO port
 2. Ready to dial Internal Extension number eg. 802

1. Ext. 801 calls Ext. 800
 2. FXO port 4 of VOI-2000/4001/8000 picks up the call
 3. Ready to dial VOIP according to the "Dial Plan" setting