



BOH-1100 Box-type Outdoor Housing Quick Installation Guide

CHECK YOUR PACKAGE CONTENTS

The carton should contain the following items:

- BOH-1100
- Camera Bracket
- Screw Kit
- Quick Installation Guide

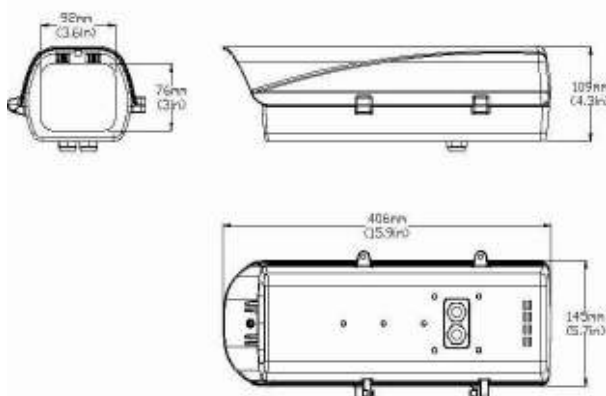
If any item is found missing or damaged, please contact your local reseller for replacement.

INTRODUCTION

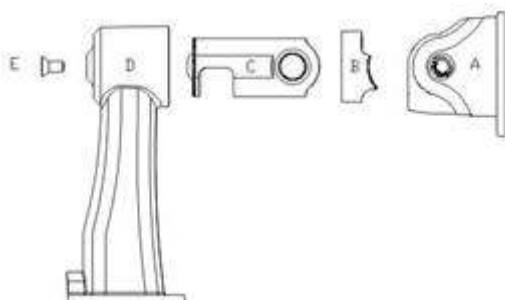
The BOH-1100 is constructed from die casting aluminum with environmental protection to level IP66. There is a fan and heater included.

Fan would operate once the temp. is over 35°C and would stop once the temperature is under 25°C again.

Heater would operate once the temperature is under 15°C and would stop once the temperature is over 25°C again.



406mm(L) x 145mm (W) x 109mm (H)
Windows 76mm x 92mm



All tightened by E Screw.

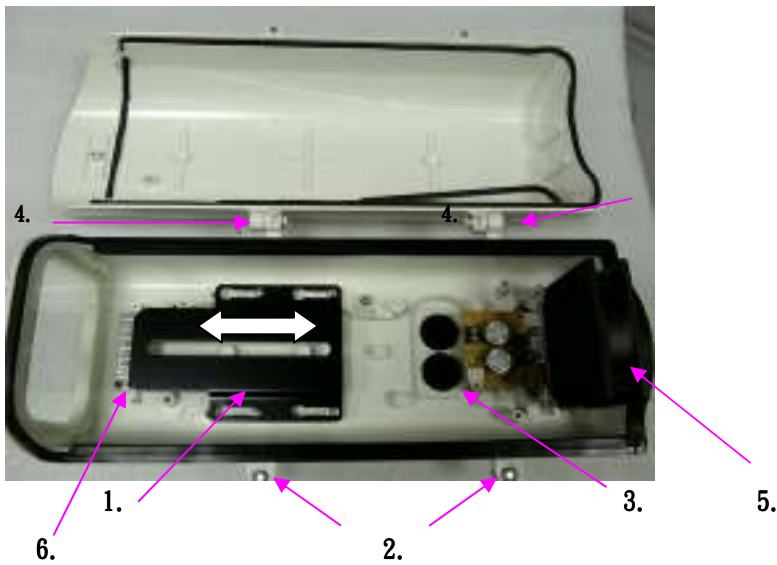


INSTALL HOUSING WITH BRACKET



Lock 4 mounting holes with screws on the bottom side.

Inner Instruction:



1. Camera mounting platform
2. Captive retaining screws X2
3. Cable Conduits
4. Connector buckle
5. Fan (only accept DC12V power)
6. Heater (only accept DC12V power)

Power Relay Board:



1. DC12V/1.5A power input
2. Power supply to fan
3. Power supply to heater

Note:

- Default camera housing package don't include power adapter
- when use the optional power adapter to connect the PCB of the housing , you have to cut adapter's power line to plug by manually