



## BOH-1200

# Outdoor Housing for Box Cameras w/ Infrared LEDs Quick Installation Guide

### ***CHECK YOUR PACKAGE CONTENTS***

---

The carton should contain the following items:

- BOH-1200
- Camera bracket
- Screw kit

If any item is missing or damaged, please contact your local reseller for replacement.

*Note: This installation should be completed by a qualified installer and should conform to all local codes and regulations.*

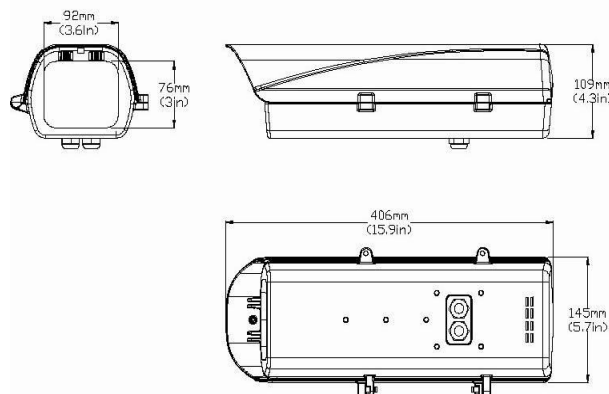
### ***INTRODUCTION***

---

The BOH-1200 is constructed from sturdy die cast aluminum with environmental protection rated to IP-66.

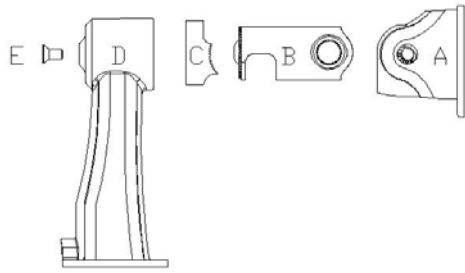
There is built-in fan and heater included. The fan operates when the temperature reaches over 35°C and stops once the temperature stabilizes at 25°C again.

The built-in heater begins operation once the temperature is under 15°C and stops once the temperature is over 25°C again.

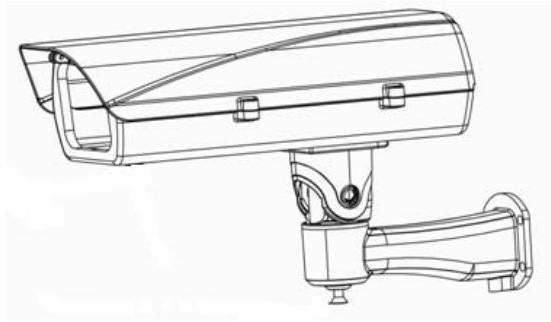


## ***ASSEMBLING THE MOUNTING BRACKET***

---



Complete assembly by tightening the “E” screw.

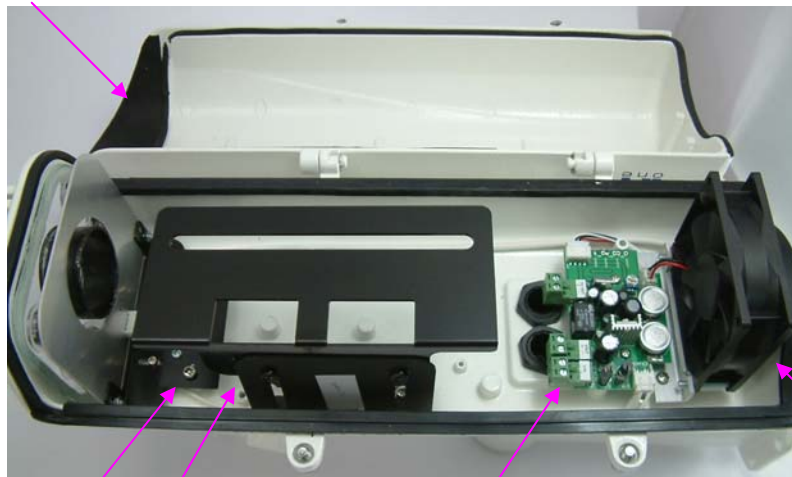


Connect the bracket by screwing in the 4 mounting screws on the bottom side of the housing.

## ***INSIDE THE HOUSING***

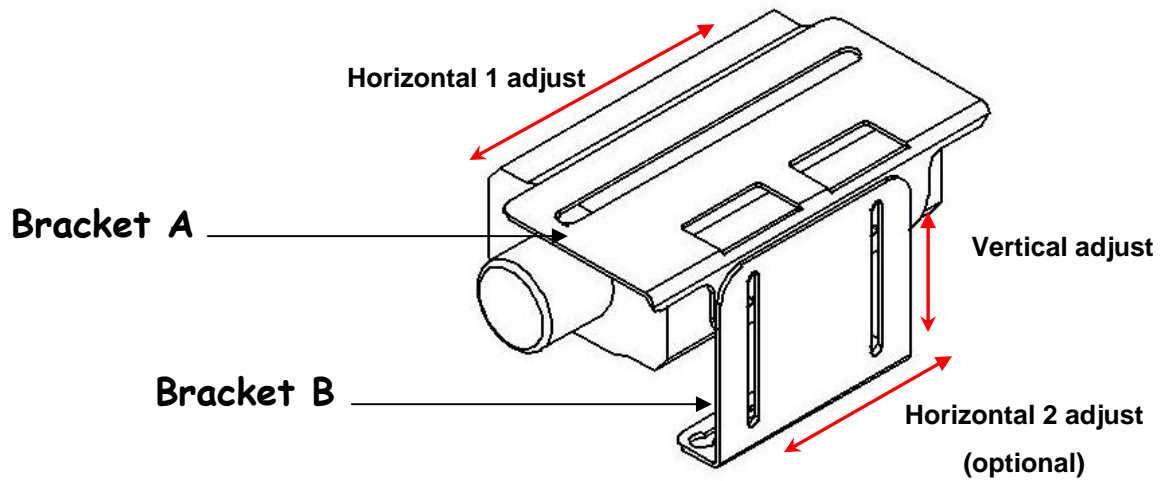
---

1.



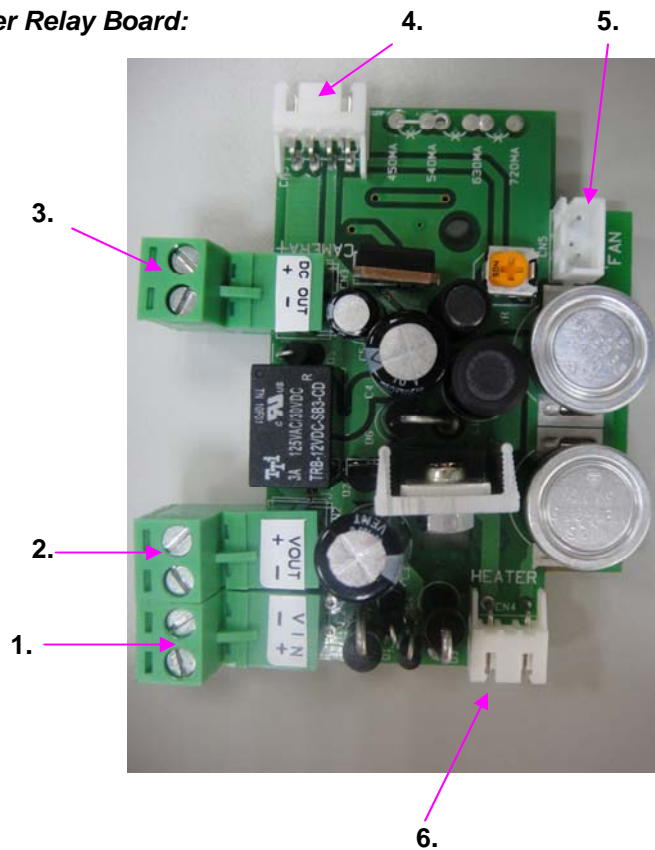
- 2.
  - 3.
  - 4.
  - 5.
1. Protective light shield – prevents the IR LEDs from reflecting into the camera’s lens.  
2. Heater  
3. Mounting brackets  
4. Power relay board  
5. Fan

**Adjustable Mounting Brackets:**



1. First, attach Bracket A to your camera with the included mounting screws. (Note: Do not tighten the screws 100% as you will need to make adjustments later.)
2. Next attach Bracket A + camera to Bracket B. Again, only tighten enough to hold in place while deciding on the final position. Once the camera's final position has been decided, tighten all screws.

**Power Relay Board:**



1. Power input DC12V/2.5A or AC24V/2.5A
2. Power output DC12V/2.5A or AC24V/2.5A
3. DC12V power output for camera
4. Power supply to infrared LEDs
5. Power supply to fan
6. Power supply to heater

*Note:*

- *AC and DC power can NOT operate simultaneously.*
- *Please note the difference between positive and negative terminals when connecting power.*