



## BOH-1300

# Outdoor Housing for Box Cameras (12VDC/24VAC)

## Quick Installation Guide

### ***CHECK YOUR PACKAGE CONTENTS***

---

The carton should contain the following items:

- BOH-1300
- Camera Bracket
- Screw Kit

If any item is missing or damaged, please contact your local reseller for replacement.

*Note: This installation should be completed by a qualified installer and should conform to all local codes and regulations.*

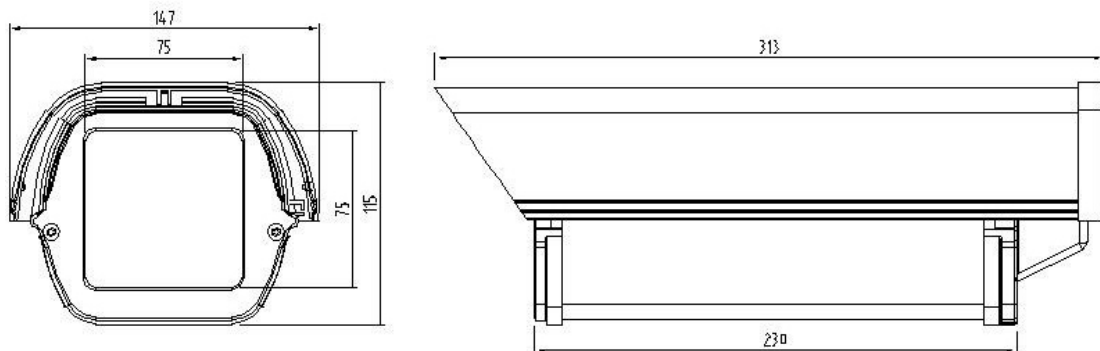
### ***INTRODUCTION***

---

The BOH-1300 is made from extruded aluminum and is rated at IP-66.

There is built-in fan and heater included. The fan operates when the temperature reaches over 35°C and stops once the temperature stabilizes at 25°C again.

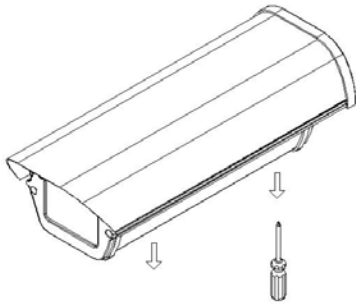
The built-in heater begins operation once the temperature is under 15°C and stops once the temperature is over 25°C again.



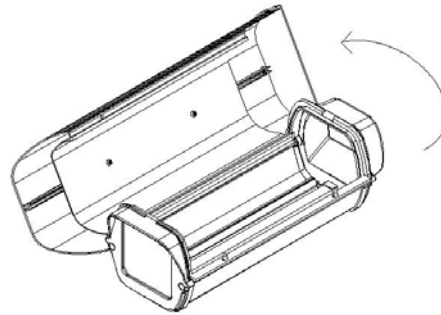
## ***INSTALLATION***

---

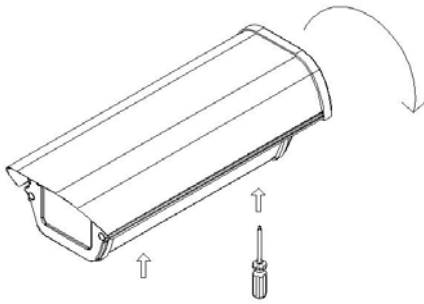
A. Loosen the screws.



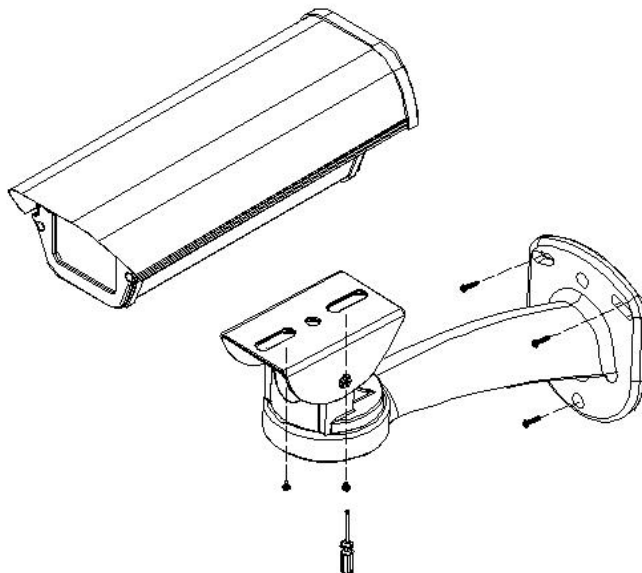
B. Open the top cover for installation.



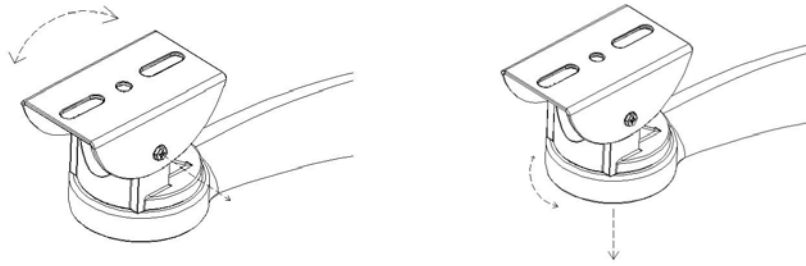
C. Close the top side and tighten the screws after installation. You may use the included spacer to help position the camera at its ideal height.



D. Firmly fasten camera to bracket and bracket to the wall.

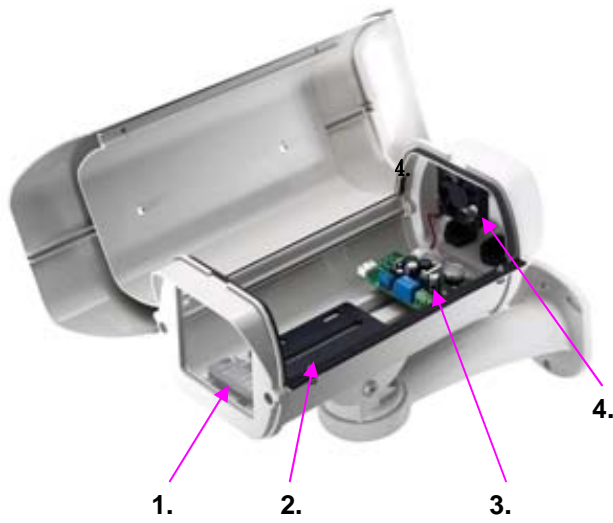


E. Loosen the screws to adjust the bracket.



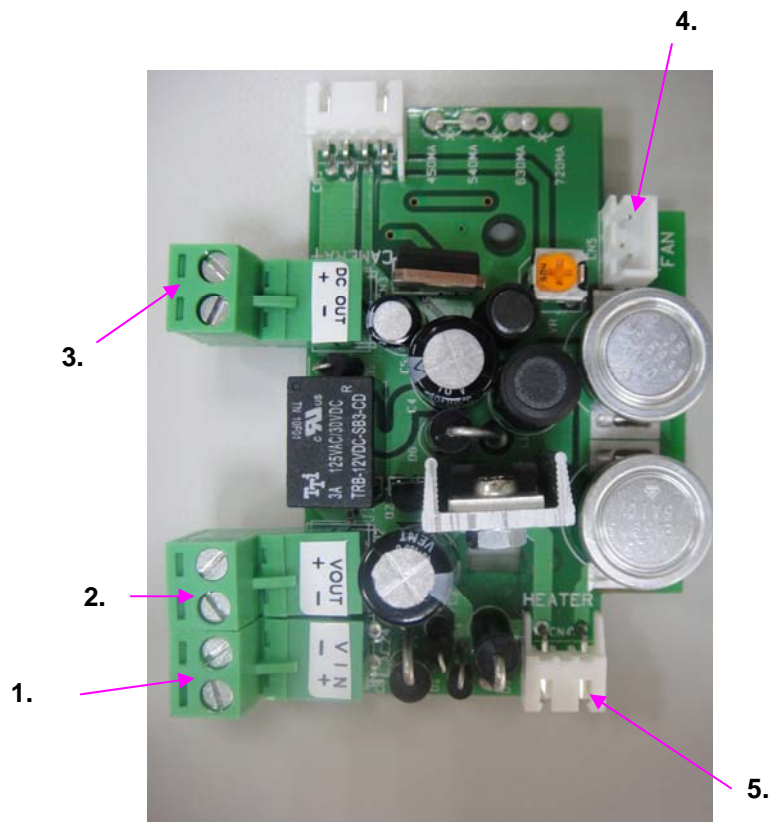
### ***INNER INSTRUCTION***

---



1. Heater
2. Camera mounting platform
3. Power relay board
4. Fan

### Power Relay Board:



1. Power input DC12V/2.5A or AC24V/2.5A
2. Power output DC12V/2.5A or AC24V/2.5A
3. DC12V power output for camera
4. Power supply to fan
5. Power supply to heater

#### Note:

- AC and DC power can NOT operate simultaneously.
- Please note the difference between positive and negative terminals when connecting power.