



# **CVH-2100**

## **Chassis, 18-Slot, 3U, 19"**

### **Quick Installation Guide**



## Overview

Thank you for purchasing CCTV rack. CCTV video converter card can be inserted into Rack slots without specific sequence as the unique design. Simultaneously many kinds of different model specification power source can be provided for customer choice. Any CCTV video converter card can find the appropriate disposition in Rack.

## Characteristics

- compact structure and reliable function
- good performance in anti-jamming and secret
- installation is simple and can run with only inserting
- supports inserting with power

## Working Specification

- operating temperature: -40°C ~ +75°C
- operating humidity: 0~95%RH (non-condensation)

## NOTES

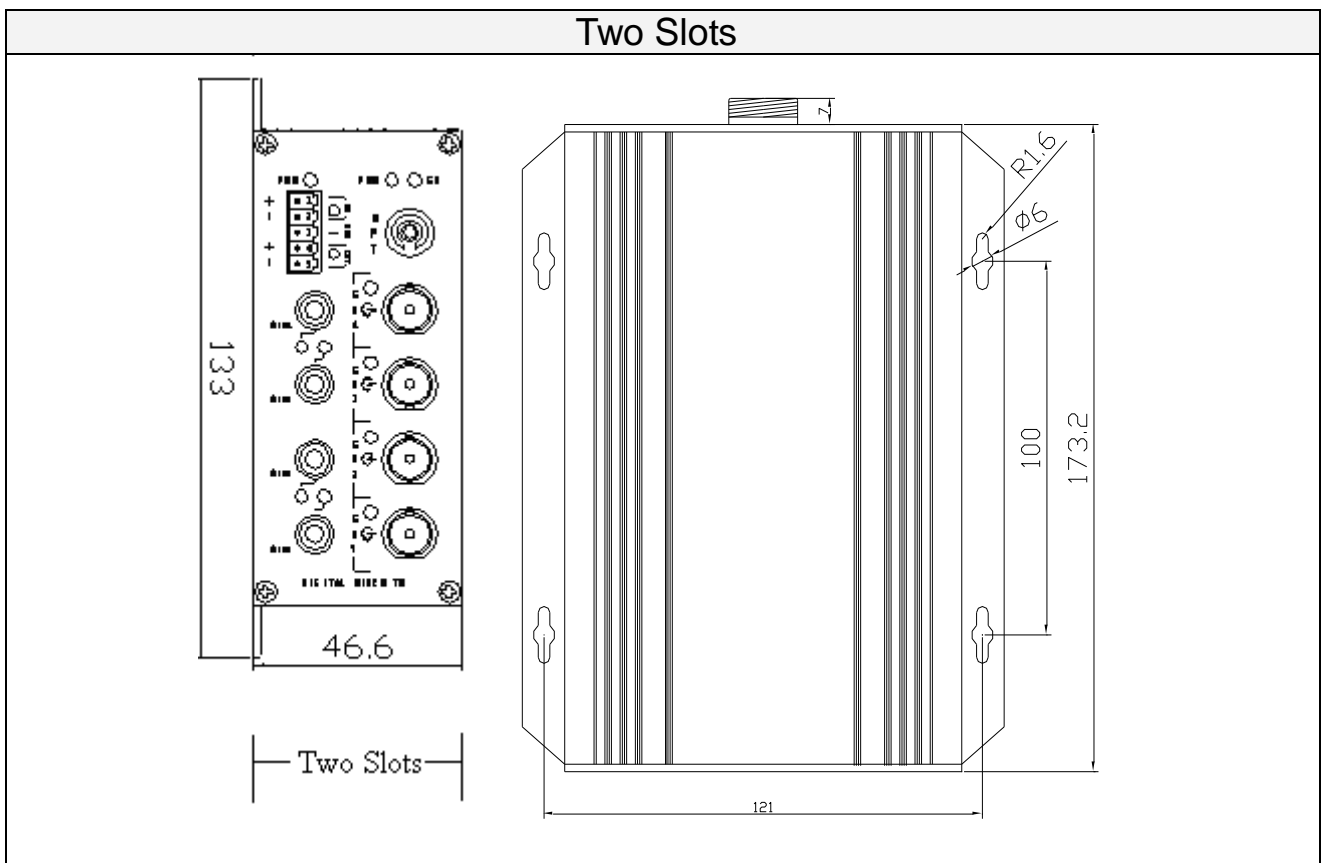
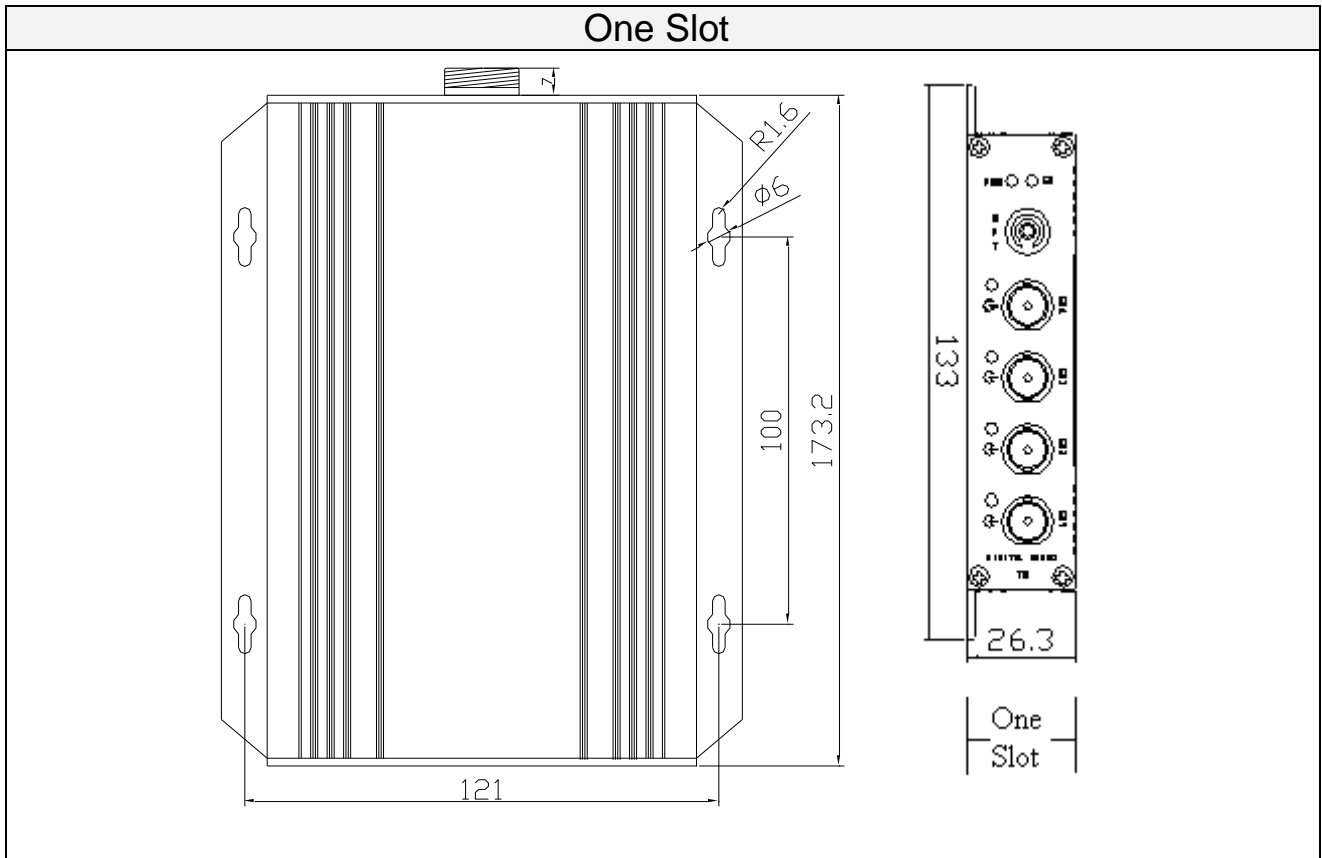
1. Video Extender Chassis input 220V/50Hz, can supply three kind of switching power output with 5V/1.5A, 18 slots rack input 220V/50Hz and supply +5V/11A switching power.
2. CVH-2100 rack is designed for dissipating heat with the nature wind, the operation life is not influenced by the ventilator machinery attrition, the rack need to reserve certain space to dissipate heat (to suggest is bigger than 100mm)。
3. Those video converters which carry Ethernet port or more than 4 channels video will cause quite high heat output when working. Therefore, we recommend to empty a slot between them when insert these converter cards into the CVH-2100 rack.

## Product Information

Slot No.	Instruction	Size: (L x W x H)
One Slot	Use 5VDC, 1.5A power	180x133x27
	Use 5VDC, 1.5A power	180x133x27
Two Slots	Use 5VDC, 1.5A power	180x133x47
	Use 5VDC, 1.5A power	180x133x47
Eighteen Slots	Use +5V, 11A power	484x253x133mm

Note: A card covering one slot can support no more than 4 channel video + one single directional data/audio/Ethernet.

# Installation Size



# Eighteen Slots (CVH-2100)

