



LevelOne

KCM-0831/1631

8/16-Port Combo KVM Module

Quick Installation Guide

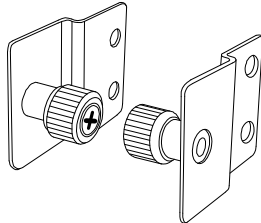
8/16-Port Combo KVM Module Installation

Before Installation:

1. Please check all peripherals according to the list before installation. To make sure that the whole unit was not damaged or lost during shipping process. If you encounter any problem, please contact with your local dealer.
2. Before installation, make sure all peripherals and computer have been turned off.

Hardware kits contents:

1. Bracket A with thumb screw x 2

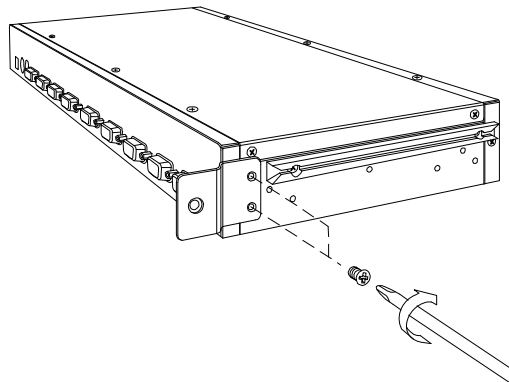


2. Screw (length = 6 mm) x 4



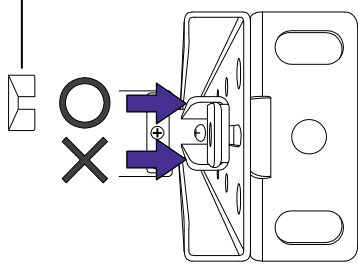
Install combo KVM module steps:

1. Install two screws (length = 6 mm) to combine bracket A and KVM module.
(Both sides)

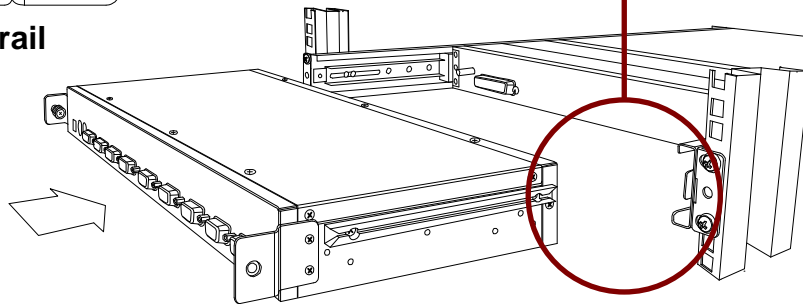


2. Push KVM module into the rails from rear of cabinet.

plastic rail of KVM



rear view of rail



3. Tight thumb screw of bracket A up to fix KVM module in console and finish installation. (Both sides)

